

Destinatar

 Firma
 Referinta
 Adresa
 Phone
 Fax
 E-mail

Expeditor
Cod articol :

60118030

Articol:

EUROSWM 100 M

Date pompa

Presiune nominala: 2,5 bar (250 kPa)

Temperatura min. fluid 0 °C

Temperatura max. fluid 60 °C

Temperatura max. ambianta 50 °C

Date de functionare cerute

Debit :

Inaltime de pompare :

Fluid pompat : Apă

Temperatura fluid: 20 °C

 Densitate 998.3 kg/m³

 Vazcozitate cinematica: 1.005 mm²/s

Presiune de vapori: 2.34 kPa

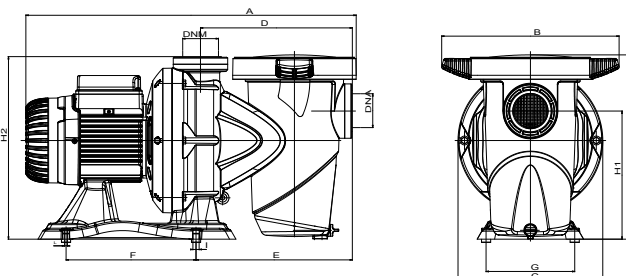
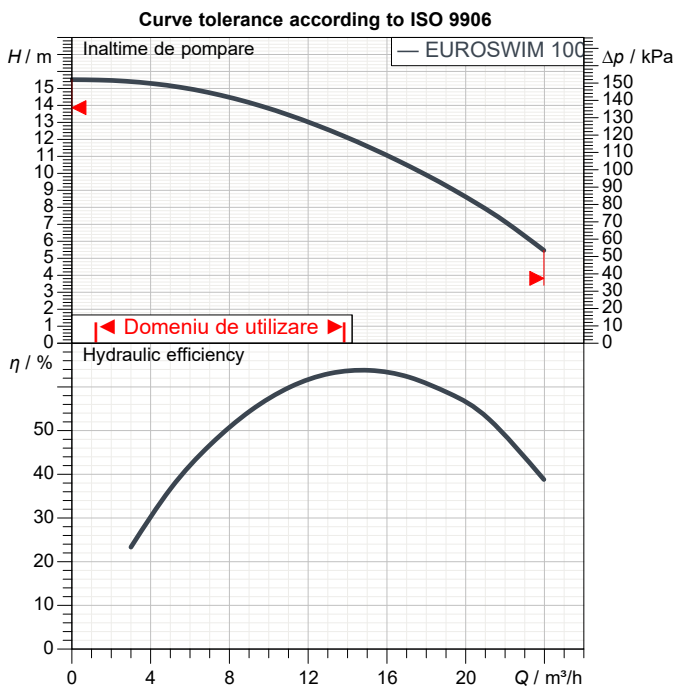
Date disponibile:

Debit :

Inaltime de pompare :

Materiale

Corp pompa	Reinforced technopolymer
Rotor	Reinforced technopolymer
Difuzor	Reinforced technopolymer
Filtru	Tecnopolimer
Etansare mecanica	Carbon/Alumina/NBR/AISI316
Capac filtru	Polycarbonate
O-ring	NBR


Masa 13.8 kg

Date motor

Marca :	DAB
Putere nominala P2:	0.75 kW
Viteza nominala:	2900 1/min
Tensiune nominala :	1~ 220-240 V 50 Hz
Curent nominal :	6.3 A
Grad de protectie:	IP 55

Dimensiuni de gabarit mm

A	559	L	6.5
B	300		
C	245		
D	257		
DNA	G2"		
DNM	G2"		
E	265		
F	220		
G	150		
H	317		
H1	222		
H2	314		
I	11		

Racorduri pompa:

Partea cu aspiratia:	2" G / 2,5 bar (250 kPa)
Partea cu refularea:	2" G / 2,5 bar (250 kPa)



CURBELOR CARACTERISTICE

12/03/2021

Pagina 2 / 3

DAB PUMPS S.p.A.
Via Marco Polo, 14 - 35035 Mestrino (PD), Italy
Tel. +39 049 5125000 - Fax +39 049 5125950
www.dabpumps.com

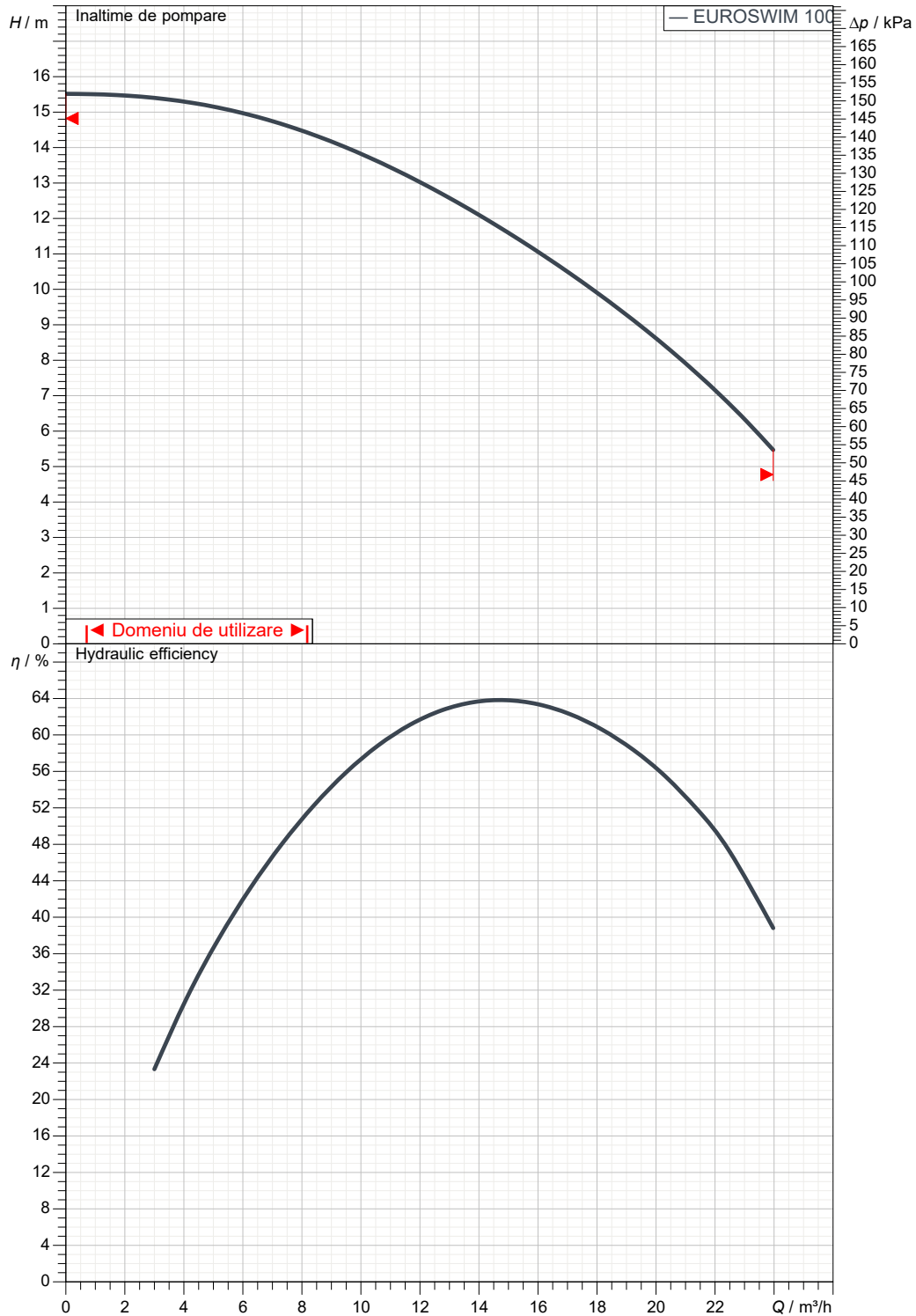
Destinatar

Expeditor

Firma
Referinta
Adresa
Phone
Fax
E-mail

EUROSWIM 100 M

Curve tolerance according to ISO 9906



Date disponibile:

Partea cu aspiratia:
2" G
2,5 bar (250 kPa)

Partea cu refularea:
2" G
2,5 bar (250 kPa)

Debit :

Înaltime de pompare :

Viteza nominala:
2900 1/min

MAIN_PROJECT_TITLE

BUSINESS_PROCESS_ID

OWNER_

ISSUE_DATE



DESEN DIMENSIONAL

12/03/2021

Pagina 3 / 3

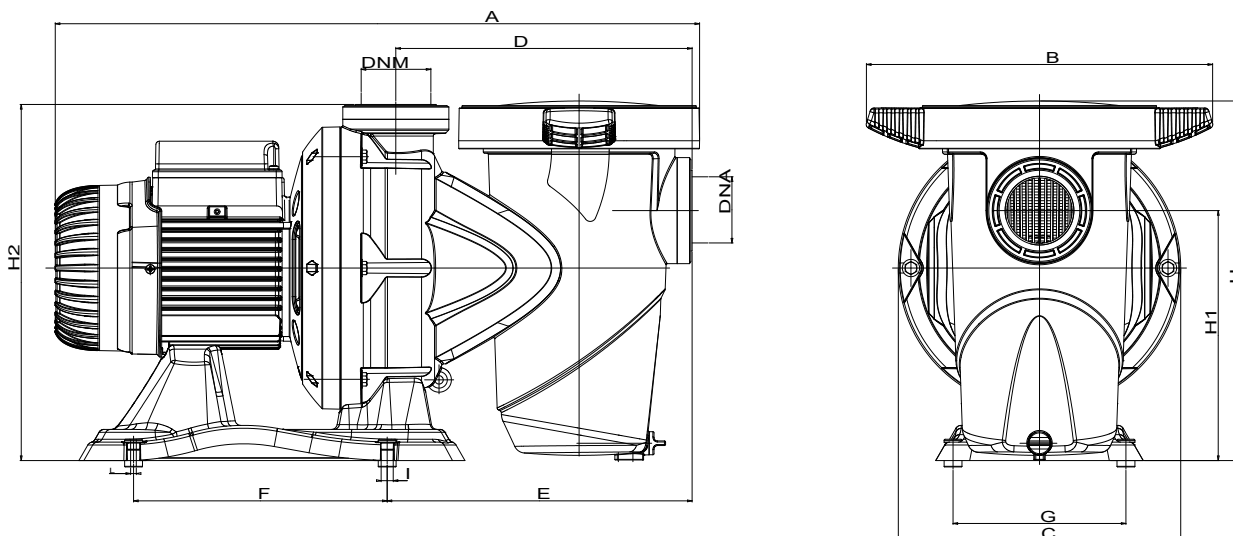
DAB PUMPS S.p.A.
Via Marco Polo, 14 - 35035 Mestrino (PD), Italy
Tel. +39 049 5125000 - Fax +39 049 5125950
www.dabpumps.com

Destinatar

Expeditor

Firma
Referinta
Adresa
Phone
Fax
E-mail

EUROSWIM 100 M



Dimensiuni in mm

Racorduri pompa:

1	A	559	I	11			
2	B	300	L	6.5			
3	C	245					Aspiratie
4	D	257					2" G
5	DNA	G2"					2,5 bar (250 kPa)
6	DNM	G2"					
7	E	265					Refulare
8	F	220					2" G
9	G	150					2,5 bar (250 kPa)
10	H	317					
11	H1	222					
12	H2	314					

MAIN_PROJECT_TITLE	BUSINESS_PROCESS_ID	OWNER	ISSUE_DATE
--------------------	---------------------	-------	------------